



**AUTOCAD TRAINING INSTITUTE**  
Division of SOFTPRO Established Since 1992  
Centres at Dadar / Matunga West  
Call 9833900330 – 022 24222726 / 24301112



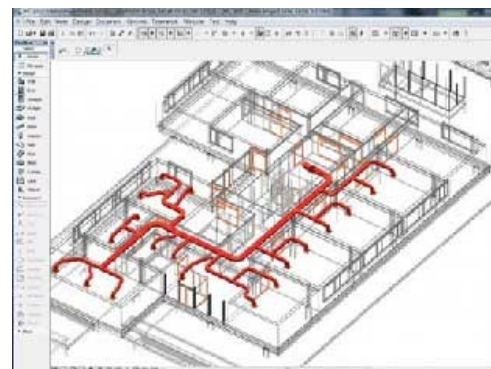
**REVIT MEP TRAINING COURSE**, you will learn the tools and techniques for using this building information modelling software for Mechanical, Electrical and Plumbing design, **HVAC with Calculations**  
Original Fees: **Rs. ~~25,550~~ 17,550 only** Limited Offer  
Duration 2 Months Daily Batch



Starting with the basics of Revit MEP, we teach you how to work with the interface, and where the tools you will use are located. You will learn to create a project, and how to use views. We explain using component families, and creating zones; even performing building performance analysis is explained. You will learn to design HVAC, piping, plumbing, fire protection, and, of course, electrical systems. We even covers detailing, documentation, work sharing, and various methods of presenting your models.

- **Mechanical** – Autodesk Revit MEP can be used to model ducts and pipe fittings and to gain a better understanding of HVAC zones, HVAC air duct systems and HVAC piping systems. This allows mechanical engineers to create accurate 2D and 3D drawings to plan for heating, ventilation and air conditioning systems.
- **Electrical** – Revit MEP allows electrical engineers to model the placement of light fixtures, create circuits and wiring diagrams and understand power systems. By utilizing the software to map out electrical systems, users can create a comprehensive plan for the placement of wiring and other electrical components.
- **Plumbing** – Revit MEP also includes tools to model plumbing systems, including waste workflow, storm workflow, restroom groups and hot water recirculation systems. Plumbing engineers can utilize the software to map out pipe flow in order to design a functional and effective plumbing system.

- Systems Tab - HVAC And Mechanical
- Moving And Copying
- Groups - Model
- Linked CAD Files - Floor Plans
- View Templates
- Basic Family Creation - Planning
- Rooms And Room Tags
- Analyzing Heating And Cooling Loads
- Automatic Ductwork Layouts
- Mechanical Systems - Hydronic
- Creating Power Circuits
- Schedules For Data Filtering
- Dimensions



**REVIT MEP**  
**Latest Version**



# AUTOCAD TRAINING INSTITUTE

Division of SOFTPRO Established Since 1992  
Centres at Dadar / Matunga West  
Call 9833900330 – 022 24222726 / 24301112



- Walkthroughs

## 1. Introduction

- Introduction To This Course
- The MEP Interface
- The REVIT Interface
- Customizing The Interface
- Keyboard Shortcuts
- Using The Included Working Files
- Working With Views
- File Concepts - Project Files And Templates
- File Concepts - Family Files And Templates
- File Concepts - System Families
- File Concepts - In-Place Families



## 2. Basic Creation Tools

- Opening A Revit MEP Project
- Viewing The Model - 2D
- Viewing The Model - 3D
- Systems Tab - HVAC And Mechanical
- Systems Tab - Plumbing And Piping
- Systems Tab - Electrical

## 3. Basic Editing Tools

- Selecting Elements
- Using Filter
- Use Of The TAB Key
- Moving And Copying
- Copy And Paste
- Rotating
- Mirror
- Linear Arrays
- Radial Arrays
- Extend And Trim
- The Align tool
- Offset
- Re-Hosting Elements
- Groups - Model
- Groups - Detail
- Groups - Detail Using Components
- Starting An MEP Project

## 4. A New MEP Project

- Linking an Architects Revit File
- Copy - Monitor Levels And Grids
- Copy - Monitor MEP Fixtures
- Initial Plan Views





# AUTOCAD TRAINING INSTITUTE

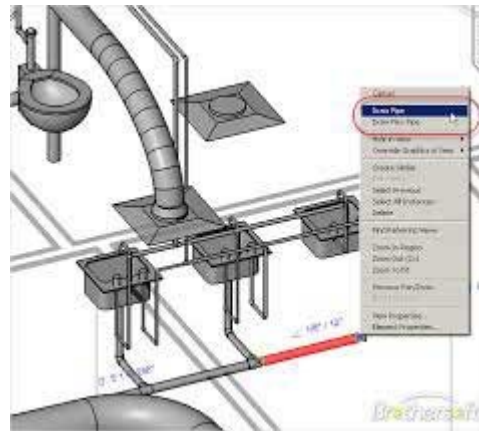
Division of SOFTPRO Established Since 1992  
Centres at Dadar / Matunga West  
Call 9833900330 – 022 24222726 / 24301112



- Coordination Review
- Project Information
- Saving - Standalone
- Saving - Worksharing Enabled
- Linking CAD Files
- Linked CAD Files - Wireframe Approach
- Linked CAD Files - Elevations
- Linked CAD Files - Floor Plans

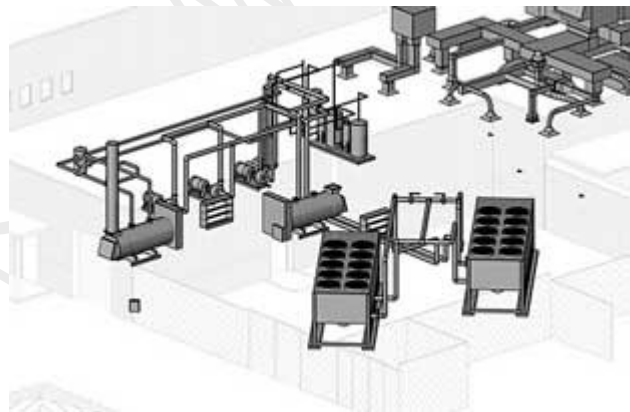
## 5. Views

- Controlling Visibility
- Initial Plan Views
- View Duplication
- Elevations
- Sections
- Creating Callouts
- Ceiling Plans
- View Templates
- Matchlines
- Section Box
- Scope Box



## 6. Component Families

- Out Of The Box Families
- Online Families
- YOUR Families
- Basic Family Creation - Template
- Basic Family Creation - Planning
- Basic Family Creation - Modeling
- Basic Family Creation - Types
- Basic Family Creation - Connectors
- Basic Family Creation - Tags



## 7. Spaces And Zones

- Rooms And Room Tags
- Room Bounding objects
- Creating Spaces
- Space Separation Boundaries
- Modifying Spaces
- Space Tags
- Area And Volume Calculations
- Creating Zones
- The System Browser And Zones
- Color Schemes



## 8. Building Performance Analysis

- Energy Analysis
- Energy Settings
- Default Building Type Settings





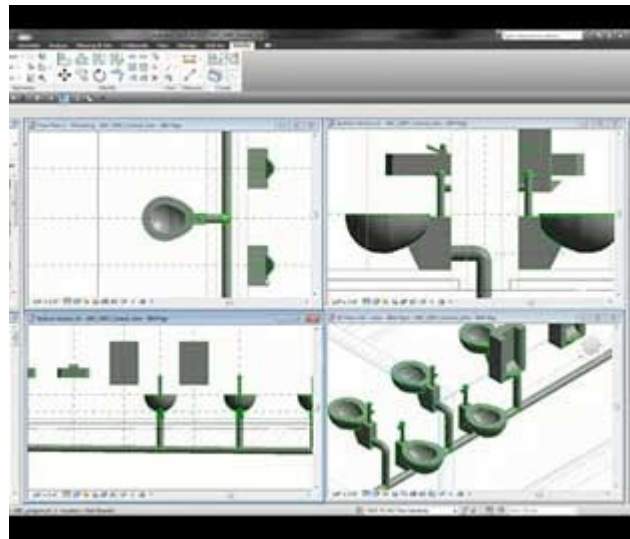
- Analyzing Heating And Cooling Loads
- Exporting For Secondary Analysis

### 9. Systems

- The System Browser
- Graphic Overrides
- Checking Systems
- System Inspector
- Duct Sizing

### 10. HVAC

- Mechanical Settings - Ducts
- Air Terminals And Mechanical Equipment
- Duct Placeholders
- Ducts
- Duct Insulation And Lining
- Modifying Ducts
- Adding And Modifying Fittings
- Duct Systems
- Automatic Ductwork Layouts
- Mechanical Equipment



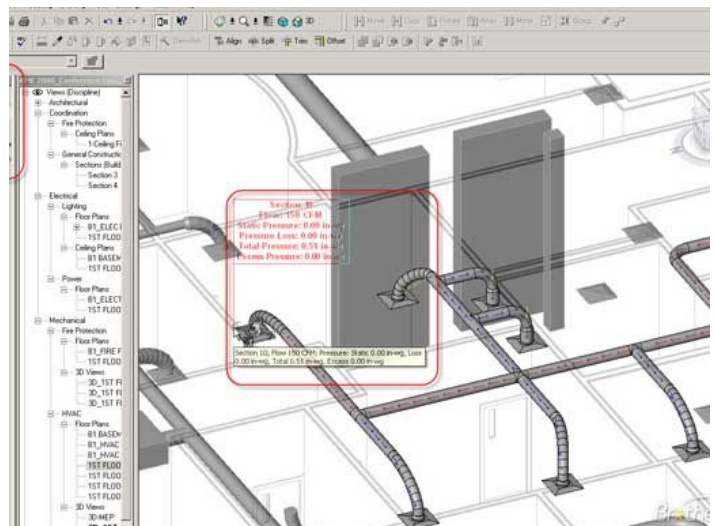
### 11. Hydronic Piping Systems

- Plumbing And Pipe Work
- Mechanical Settings - Pipes
- Piping Systems
- Adding Mechanical Equipment
- Adding Placeholder Pipes
- Adding Pipes
- Parallel Pipes
- Modifying Pipes
- Sloping Pipes
- Adding And Modifying Fittings
- Mechanical Systems - Hydronics
- Generating Pipe Layouts



### 12. Plumbing Systems

- Mechanical Settings - Pipes
- Piping Systems
- Adding Plumbing Fixtures
- Placeholder Pipes
- Pipes, Parallel Pipes
- Modifying Plumbing Fixtures
- Piping Systems
- Generating Pipe Layouts



### 13. Fire Protection Systems

- Sprinklers
- Sprinkler Systems



# AUTOCAD TRAINING INSTITUTE

Division of SOFTPRO Established Since 1992  
Centres at Dadar / Matunga West  
Call 9833900330 – 022 2422726 / 24301112



- Sprinkler Pipe Layouts

## 14. Electrical Systems

- Electrical Settings
- Electrical Components - Lighting Fixtures
- Electrical Components - Electrical Equipment
- Electrical Components - Electrical Devices
- Creating Power Circuits
- Creating Lighting Circuits
- Creating Switch Systems
- Cable Tray
- Conduit



## 15. Panel Schedules

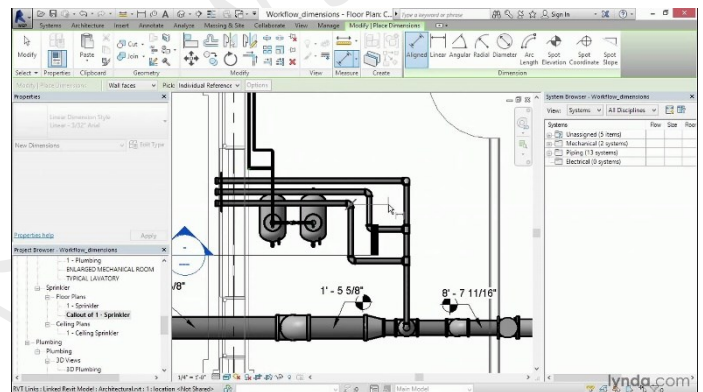
- Creating Panel Schedules
- Modifying Panel Schedules

## 16. Scheduling

- Schedules
- Schedules
- For Documentation
- Schedules For Data Filtering

## 17. Detailing

- Creating Details
- Adding Detail Lines
- Detailing In 3D
- Importing Details
- Editing Details
- Exporting Details
- Legends



## 18. Documentation

- Setting Up Sheets
- Placeholder Sheets
- Guide Grids
- Printing
- Tags Vs. Text
- Dimensions



## 19. Worksharing

- Worksharing
- User Setup
- Tomorrows Local Files
- Worksharing Ownership
- Worksharing Detach
- Worksharing History



**AUTOCAD TRAINING INSTITUTE**  
Division of SOFTPRO Established Since 1992  
Centres at Dadar / Matunga West  
Call 9833900330 – 022 24222726 / 24301112



## **20. Presentations**

- Custom Materials
- Custom Lighting
- Exporting Images
- Walkthroughs



## **21. What's New At A Glance**

- Platform Enhancements - View Templates
- Platform Enhancements - DWG Improvements
- Platform Enhancements - Dimensions
- MEP Enhancements - Annotation
- MEP Enhancements - Duct And Pipe Routing
- MEP Enhancements - Re-Apply Type
- MEP Enhancements - Duct Updates
- MEP Enhancements - Room Calculation Points
- MEP Enhancements - Pipe Updates



**CALL 9833900330 / 9930375161**

***Professional Training – Take a Free DEMO***



Address :

B/2,Vimal Udyog Bhavan, 1st Flr, Nr BPL Mobile Off,  
Opp. STARCITY Cinema, Near Mahalaxmi Society,  
Near Shivaji Park, Movie Time Cinema  
5 Min Walk from Matunga (West) Station,  
15 Min from Dadar West Station,  
Mumbai- 400016.



PROFESSIONAL TRAINING – COME FOR A DEMO – [www.autocadtraininginstitute.com](http://www.autocadtraininginstitute.com)